

**KROSS X
STUDIO**

**LOTUS TOURBILLON
USER MANUAL**

TABLE OF CONTENTS

LOTUS TOURBILLON

Overview 3

Movement winding 5

Time setting 6

Interchangeable straps 7

Buckle opening 8

Buckle release 9

GENERAL

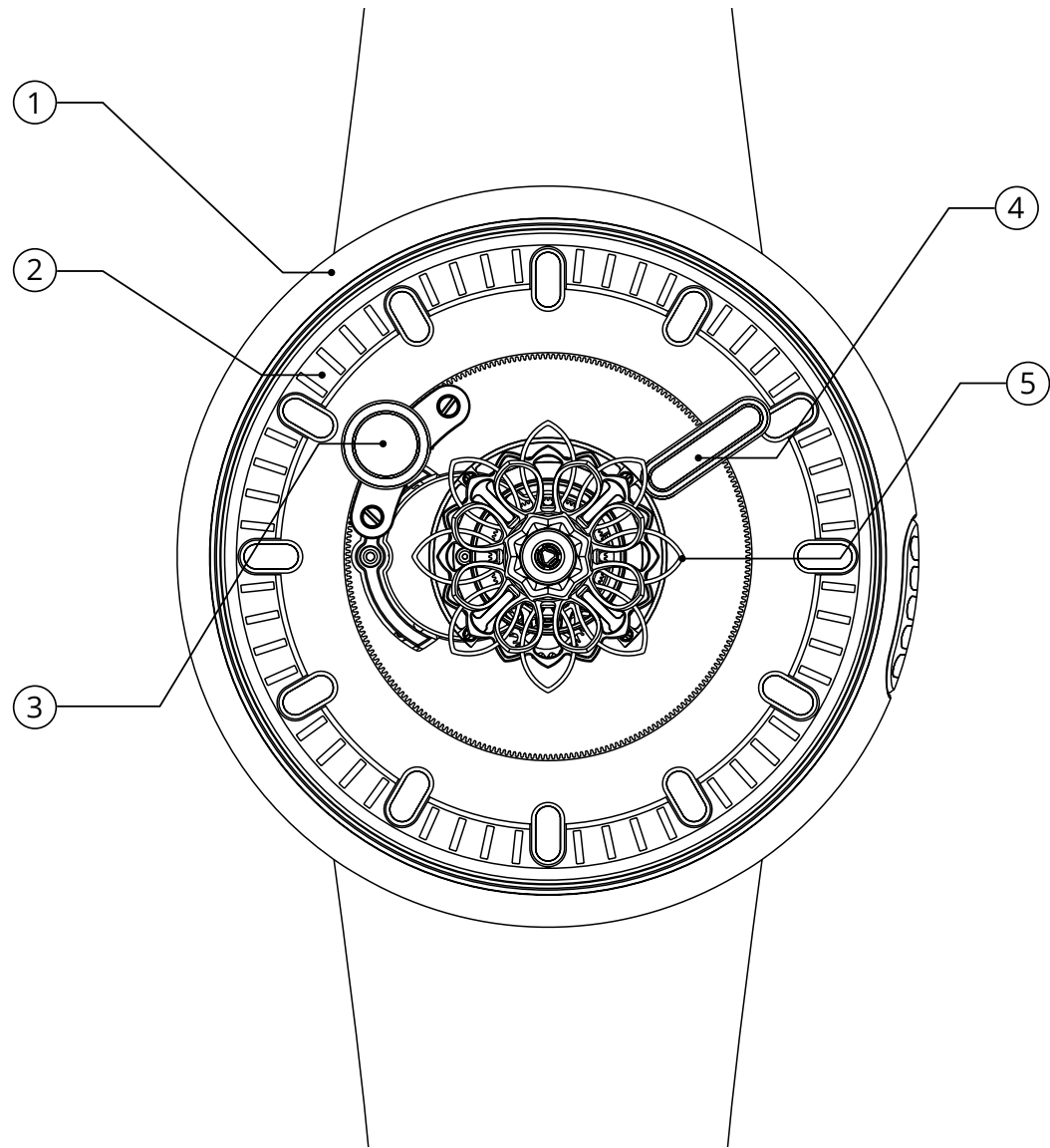
Regular care 10

Tech specs 11

LOTUS TOURBILLON OVERVIEW

FRONT

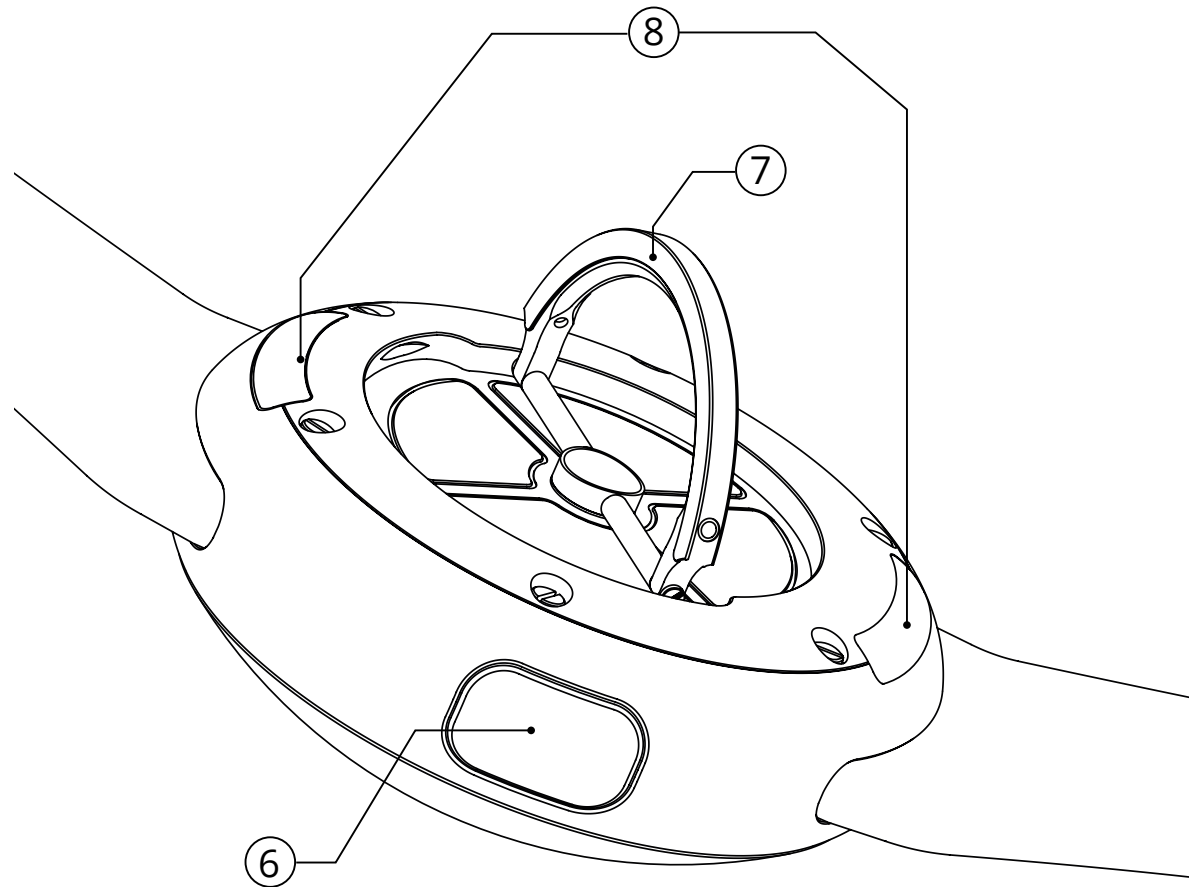
- 1 Case
- 2 Dial
- 3 Hour hand
- 4 Minute hand
- 5 Tourbillon cage



LOTUS TOURBILLON OVERVIEW

BACK

- 6 Time set push button
- 7 D-ring crown
- 8 Strap release push buttons
"Push to release"

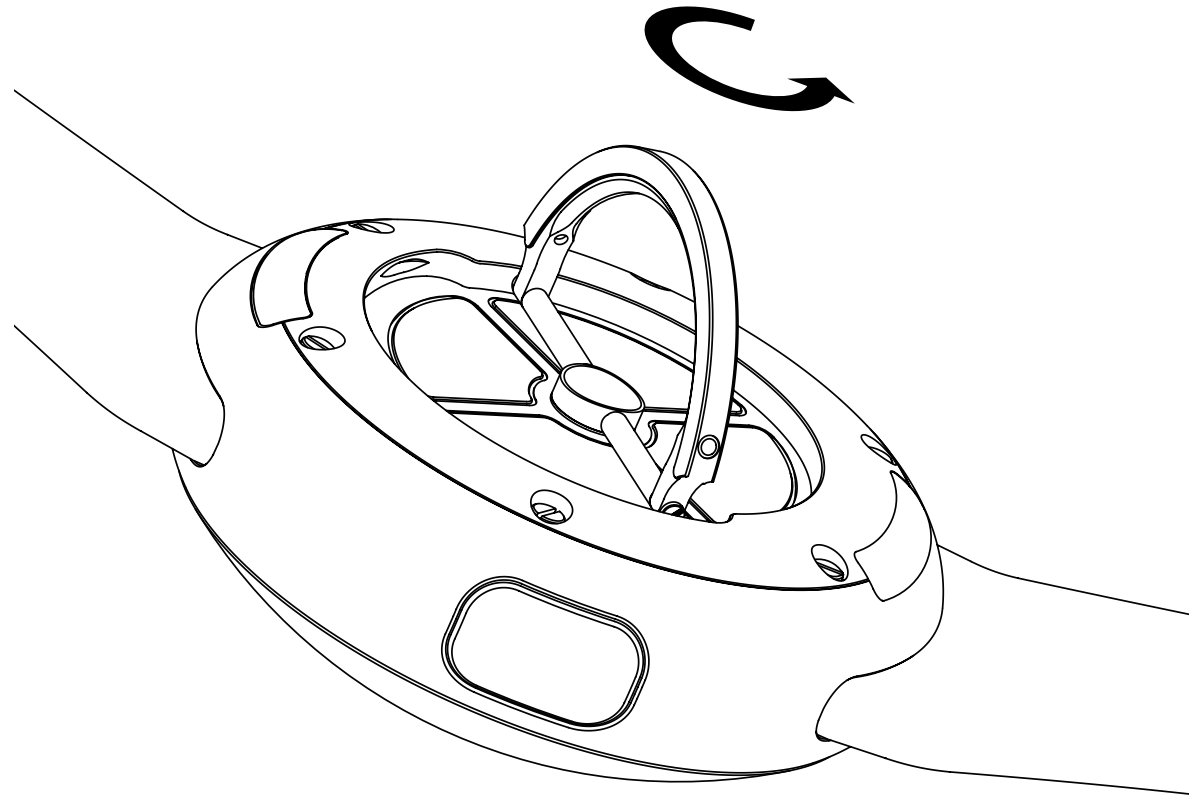


MOVEMENT WINDING

The manual-winding mechanical movement developed in-house delivers a 5 day power reserve. After this period, you must wind your watch to provide the necessary energy for it to run.

In order to maintain perfect symmetry, the Lotus Tourbillon case has no traditional crown. On the case back, a D-ring crown is stowed out of sight to help maintain the timepiece's sleek, space-age styling. This mechanism enables faster winding than with a traditional crown. To wind your watch, lift the D-ring crown and turn it counterclockwise until you feel some resistance, meaning that the watch has been wound.

To fully wind your watch, 23 complete turns are needed.

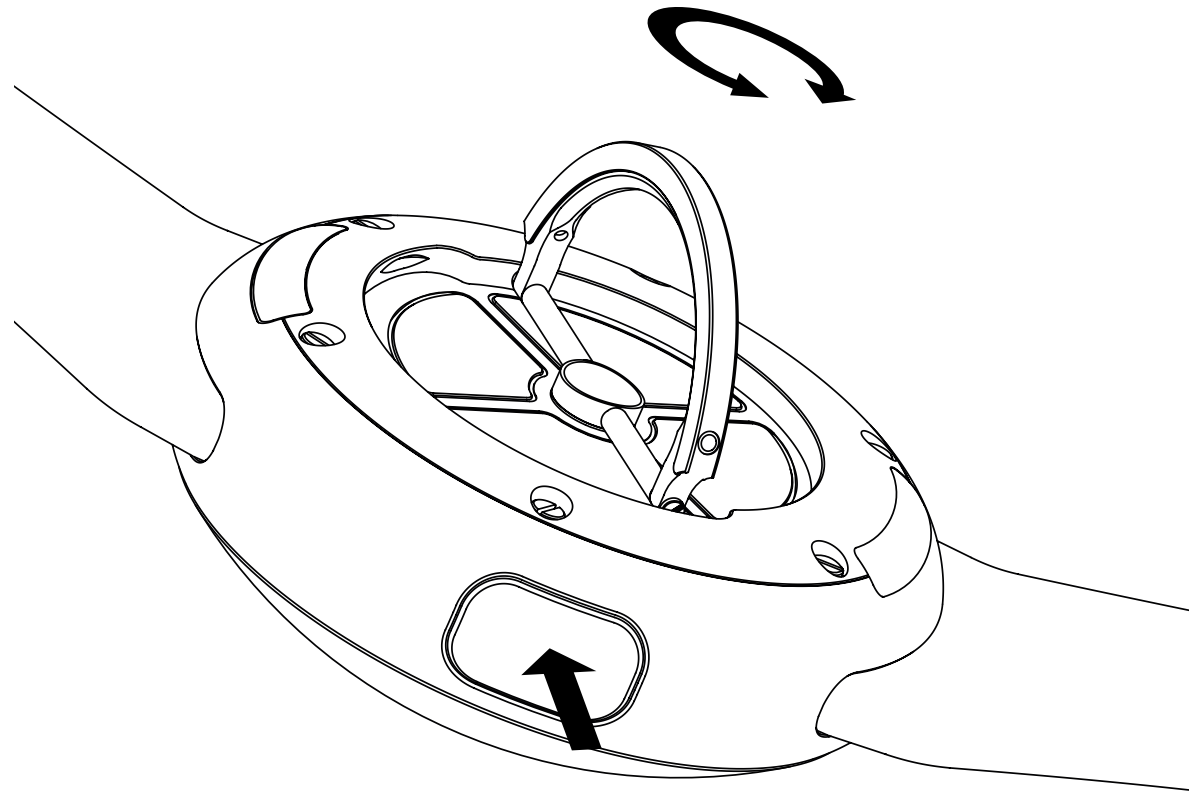


TIME SETTING

The hours and minutes are displayed in a unique peripheral format, made possible by a planetary gear system that orbits 360° around the tourbillon.

To set the time, press the time set push button. Lift the D-ring crown - located on the case-back - synchronously and turn clockwise until the exact time is set. When setting the time, there may be some resistance as the watch will be wound simultaneously.

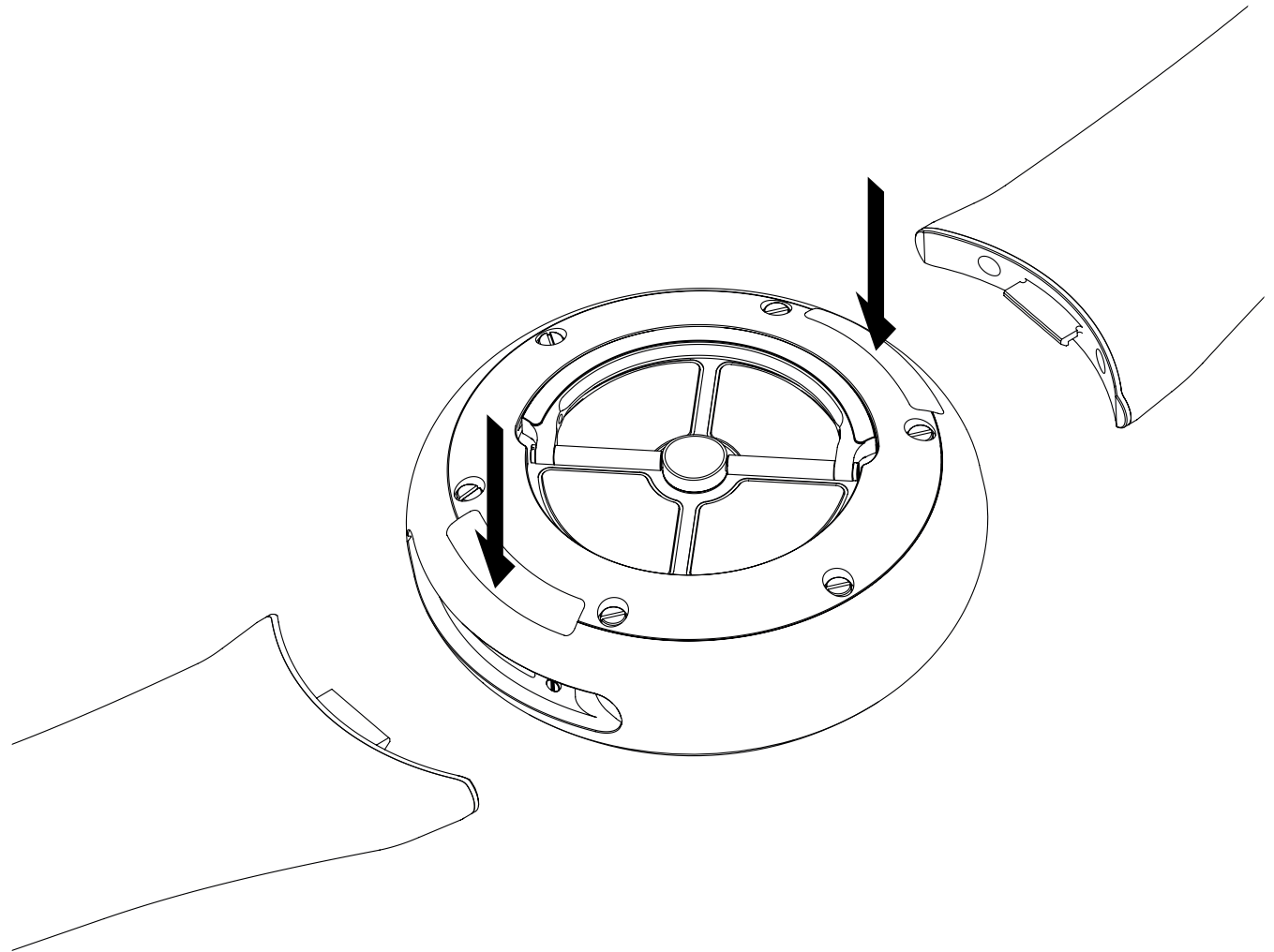
Note: You might turn the D-ring crown counterclockwise. In this case, go back 10 minutes before the actual time. Then, turn it clockwise until adjusting the exact time. It enables the gear train to go back to its functioning position.



INTERCHANGEABLE STRAPS

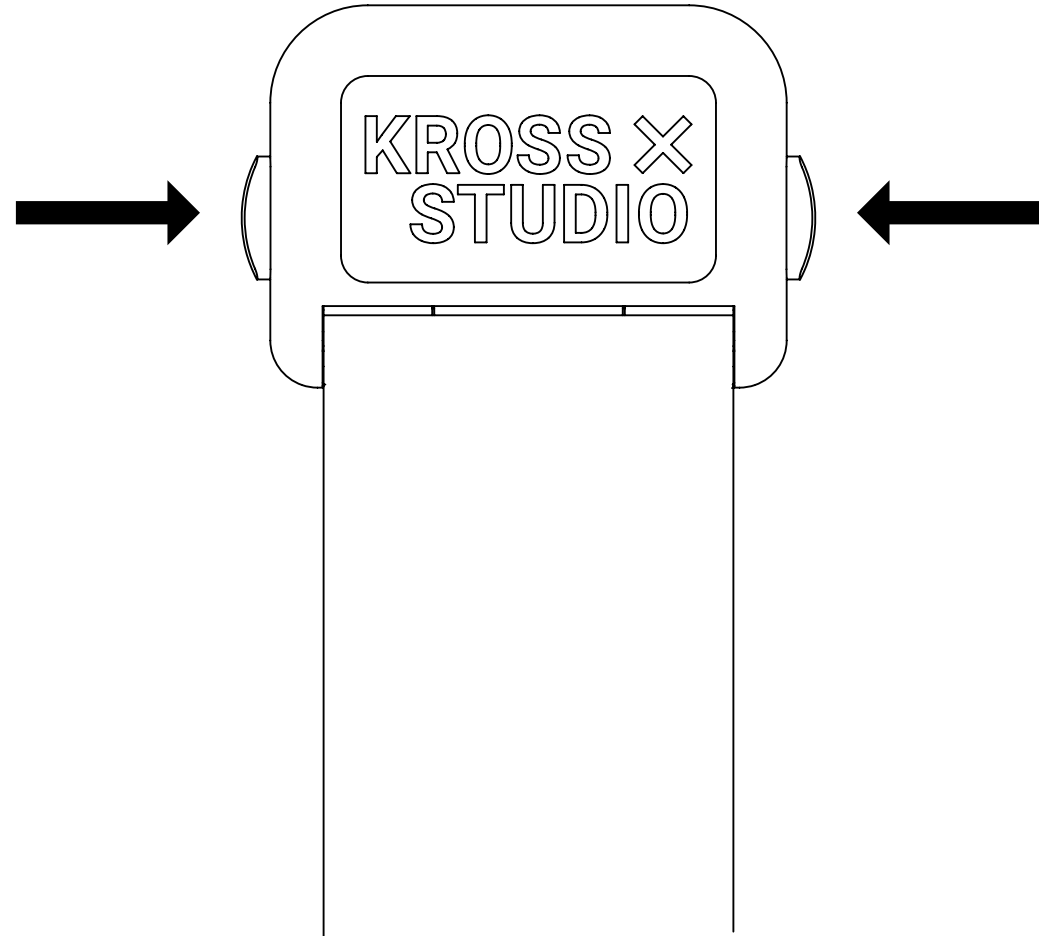
The Lotus Tourbillon is equipped with an interchangeable strap system, a practical feature where two quick-release buttons are hidden on the underside of the case.

Push each button to release the strap.



BUCKLE OPENING

Press simultaneously the two push buttons located on the sides of the clasp to open the buckle.

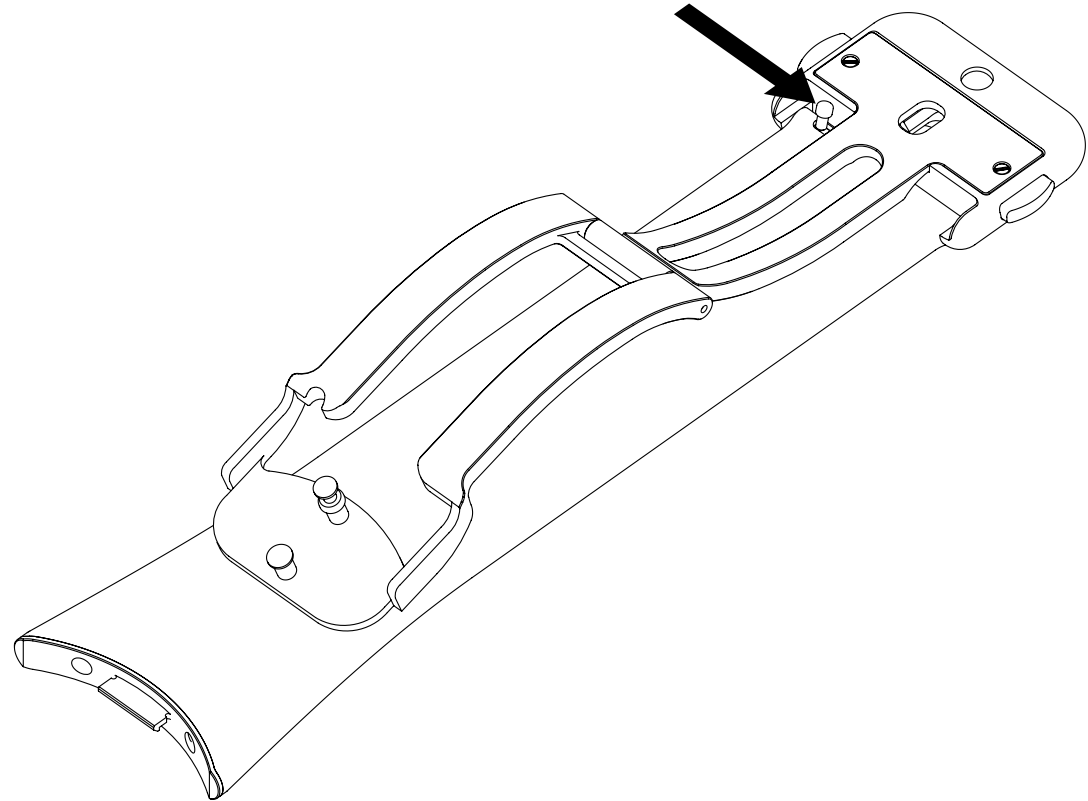


BUCKLE RELEASE

To detach the buckle, no tools are required. Simply pull the lever located under the clasp and it will release the strap.

To fix the buckle, start by inserting the right side of the buckle on the spring bar. Pull the lever and insert the left side.

Make sure the spring bar is securely in place by pulling few times the strap.



REGULAR CARE

REGULAR CARE OF THE LOTUS TOURBILLON

The tourbillon remains one of the main horological complications and bears the mark of the most talented watchmakers. Caution and care are required to ensure the longevity of your watch. To handle it properly, a set of gloves and a soft microfiber cloth are provided along with your Lotus Tourbillon watch. We strongly recommend wearing gloves every time the watch is manipulated for winding or time setting. It will enable a better gripping and help prevent any risk of scratching.

The watch has a water resistance of 30 meters. We recommend avoiding sea water.

Clean regularly your watch by wiping down carefully with the soft microfiber cloth. If needed, you may use a solvent-free cleaner to spray on the cloth. Do not spray any liquid directly on the watch.

TECH SPECS

LOTUS TOURBILLON

Parts 288	Limited Edition 18 pieces
---------------------	-------------------------------------

Movement

Caliber KS 7'000	Jewels 27
Functions Manual-winding central tourbillon	Power reserve 5 days
Parts 210	Frequency 21'600bph / 3Hz

Case

Materials Grade 5 titanium protected by a black DLC treatment	Diameter 45mm
Dome-shaped anti-reflective sapphire crystal	Thickness 20mm
Water Resistance 30m or 3ATM	Thickness without crystal 12.5mm

Case Back

Materials
Grade 5 titanium
4 anti-reflective sapphire crystals

Interchangeable straps

- | | |
|--|---|
| 1. Vegetal black leather lined with rubber | Grade 5 titanium deployant buckle clasp |
| 2. Black rubber | |